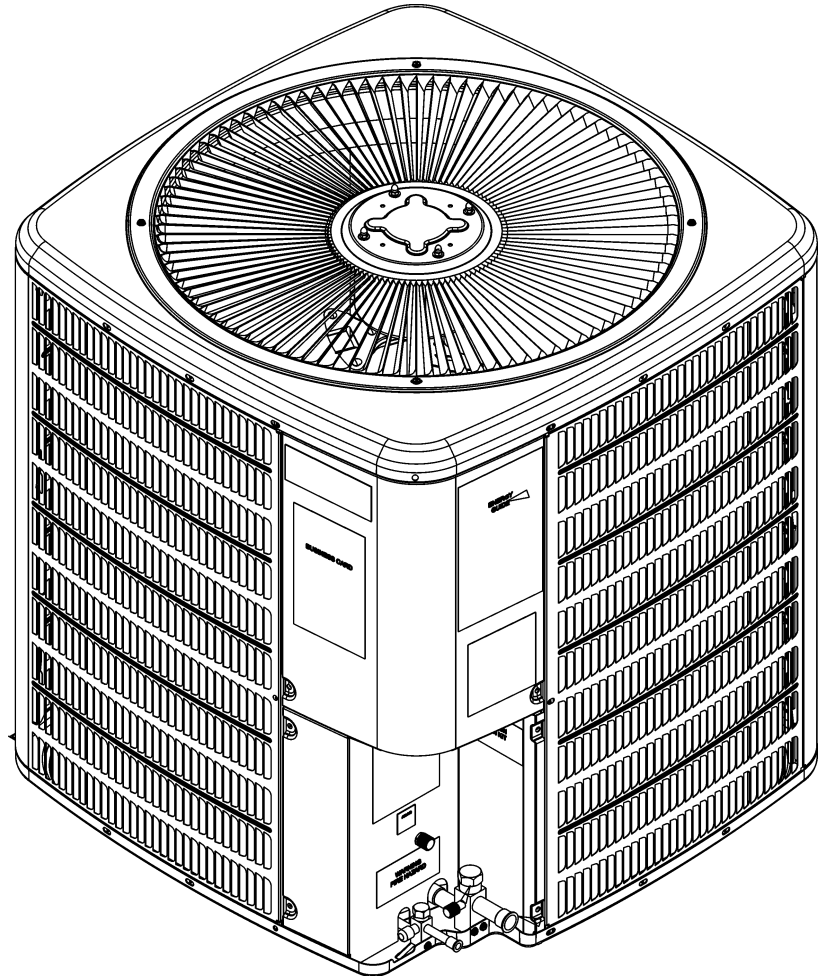


**DZ13SN Remote Heat Pump**

DZ13SN0181AC  
DZ13SN0241AC  
DZ13SN0301AC  
DZ13SN0361AC  
DZ13SN0421AC  
DZ13SN0421AD  
DZ13SN0421AE  
DZ13SN0481AC  
DZ13SN0601AB



This manual is to be used by qualified technicians only.

This manual replaces RP-D4319.

© 2016 - 2017 **DAIKIN MANUFACTURING COMPANY, L.P.** ♦ 5151 San Felipe St., Suite 500 ♦ Houston, TX 77056

# Important Information

---

## Index

Functional Parts List .....	3
Illustration and Parts .....	4 - 9

*Views shown are for parts illustrations only, not servicing procedures.*

### Text Codes:

AR - As Required

NA - Not Available

NS - Not Shown

00000000 - See Note

QTY - Quantity Example (QTY 3) (If Quantity not shown, Quantity = 1)

M - Model Example (M1) (If M Code not shown, then part is used on all Models)

### Expanded Model Nomenclature:

Example M1 - Model#1 M2 - Model#2 M3 - Model#3
---------------------------------------------------------

Daikin Company, L.P. is not responsible for personal injury or property damage resulting from improper service. Review all service information before beginning repairs.

Warranty service must be performed by an authorized technician, using authorized factory parts. If service is required after the warranty expires, Daikin Company, L.P. also recommends contacting an authorized technician and using authorized factory parts.

Daikin Company, L.P. reserves the right to discontinue, or change at any time, specifications or designs without notice or without incurring obligations.

For assistance within the U.S.A. contact:

Homeowner Support  
Daikin North America, LLC  
19001 Kermier Road  
Waller, Texas 77484  
855-770-5678-Telephone  
713-863-2382-Facsimile

For assistance outside the U.S.A. contact:

International Division  
Daikin North America, LLC  
19001 Kermier Road  
Waller, Texas 77484  
713-861-2500-Telephone  
713-863-2382-Facsimile

# Functional Parts

**Part No:**            **Description:**

0131M00811	1/8 HP 8 PL PSC MOTOR (M1, M3)
B1226206	ACCUMULATOR (M1, M2, M3)
0151R00004P	ACCUMULATOR .750 (M4)
B1226207	ACCUMULATOR .875 (M5, M6, M7, M8, M9)
0151R00079	BASE VALVE 3/4" (M1, M2, M3, M4)
0151R00078	BASE VALVE 3/8"
0151R00080	BASE VALVE 7/8" (M5, M6, M7, M8, M9)
CAP050300440CS	CAP.5/30MFD/440V/DUAL RD (M1)
CAP050400440CT	CAPACITOR 5/40/440V/DUAL RD (M2, M3)
CAP050450440CT	CAPACITOR 5/45/440V/DUAL RD (M4, M5, M6, M7, M8)
CAP050700440CT	CAPACITOR 5/70/440V/DUAL RD (M9)
ZP16K5EPFV130	COMPRESSOR 15500, 208/230/60/1 (M1)
ZP21K5EPFV130	COMPRESSOR 21300, 208/230/60/1 (M2)
ZP25K5EPFV130	COMPRESSOR 25200, 208/230/60/1 (M3)
ZP31K5EPFV130	COMPRESSOR 31100, 208/230/60/1 (M4)
ZP34K5EPFV130	COMPRESSOR 34500, 208/230/60/1 (M5, M6, M7)
ZP39K5EPFV130	COMPRESSOR 39000, 208/230/60/1 (M8)
ZP51K5EPFV130	COMPRESSOR 51000, 208/230/60/1 (M9)
0131M00018P	COND MOTOR 1/4 HP, 1 SP, 6 PL (M6)
CONT1P025024V	CONTACTOR 25 AMP, 1P, 24V (M1, M2, M3, M4, M5, M6, M7)
CONT1P030024V	CONTACTOR 30 AMP, 1P, 24V (M8, M9)
0130M00098	CONTROL, DEFROST (M2, M4)
0130M00105	CONTROL, DEFROST (M1, M3, M5, M6, M7, M8, M9)
0130M00089	CUT-OUT SWITCH, HIGH PRESSURE
0130M00088	CUT-OUT SWITCH, LOW PRESSURE
PCBDM133	DEFROST CONTROL BOARD
0130M00106	DISC THERMOSTAT CRNKCS HTR SW
0150M00018	FAN BLADE 20" (M1)
0150M00012	FAN BLADE 20" CCW (M3)
B1086750	FAN BLADE 22", 3 BLADE, 24° (M8)
0150M00013	FAN BLADE 26" CCW (M9)
0150M00033	FAN BLADE, 20", 3 BLADE, 24DEG (M2)
0150M00022	FAN BLADE, 22" (M4, M5, M6, M7)
0163R00006	HEATER, CRANKCASE 230V, 40W (M1, M2, M3, M4)
0163R00007	HEATER, CRANKCASE 230V, 40W (M5, M6, M7, M8, M9)
0131M00813	MOTOR, 1/4HP, 1SP, 6PL (M4, M5, M7, M8)
0131M00807	MOTOR, 1/4HP,1SP,8PL,AL (M9)
0131M00800	MOTOR, 1/8HP, 1SP, 6PL, AL (M2)
0151R00071	REVERSING VALVE (M5, M6, M7)
0151M00020	REVERSING VALVE (M9)
0151R00067	REVERSING VALVE (M2)
0151R00068	REVERSING VALVE (M1, M3)
0151R00070	REVERSING VALVE (M8)
0151R00069	REVERSING VALVE (M4)

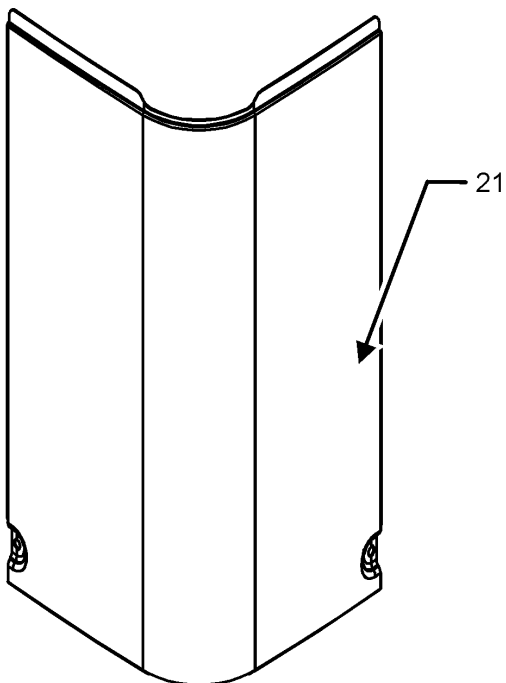
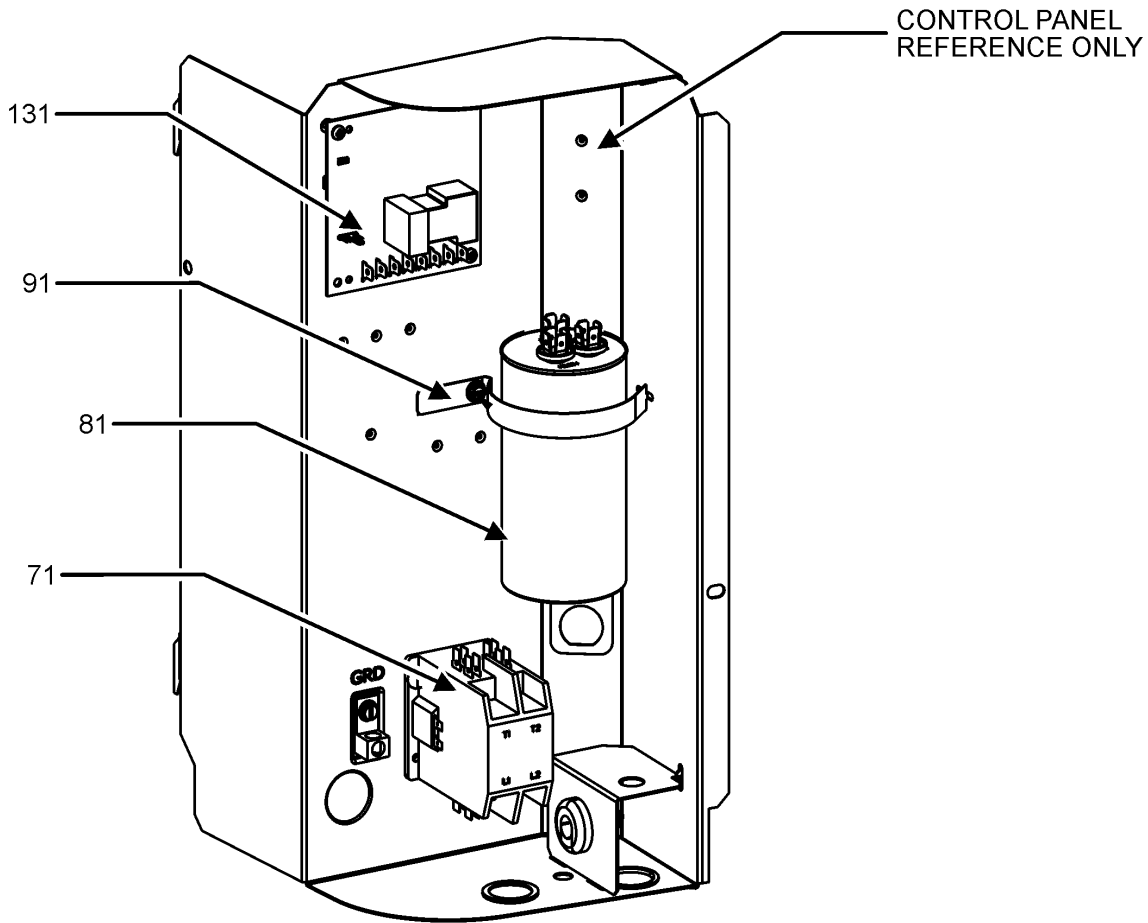
## Expanded Model Nomenclature

M1 - DZ13SN0181AC
M2 - DZ13SN0241AC
M3 - DZ13SN0301AC
M4 - DZ13SN0361AC
M5 - DZ13SN0421AC
M6 - DZ13SN0421AD
M7 - DZ13SN0421AE
M8 - DZ13SN0481AC
M9 - DZ13SN0601AB

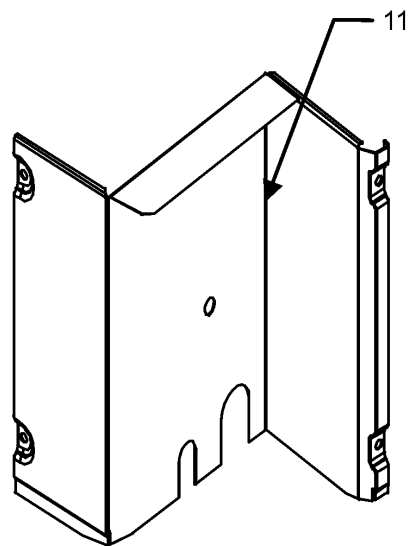
### SPECIAL PARTS

0161R00036	NAMEPLATE, DAIKIN
------------	-------------------

# Control Box Assembly



UPPER ACCESS COVER



LOWER ACCESS PANEL

# Control Box Assembly

Ref. Part No:	Part No:	Description:	Ref. Part No:	Part No:	Description:
---------------	----------	--------------	---------------	----------	--------------

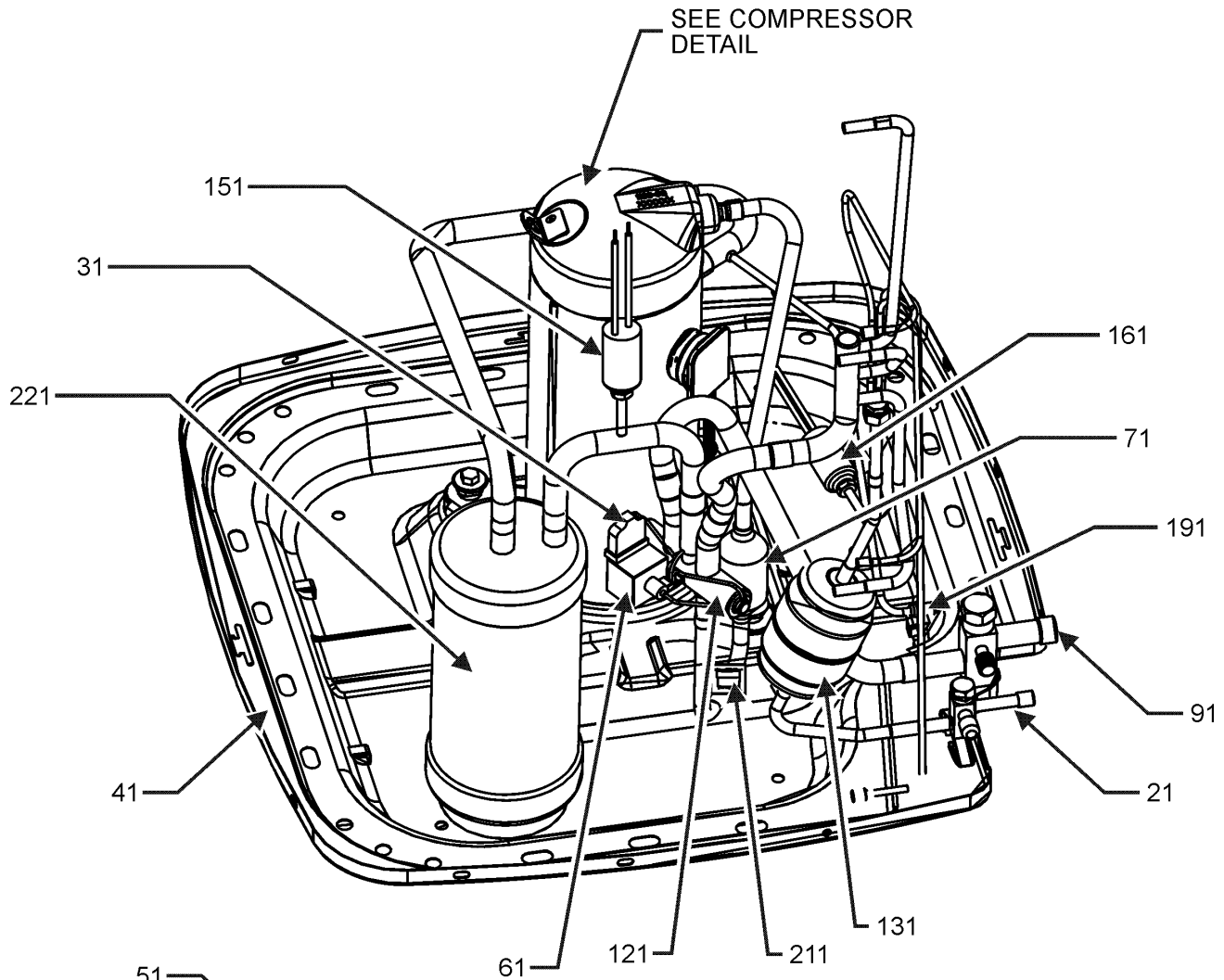
**Image 1:**

11	0121R00663PNG	LOWER ACCESS PANEL (M1, M2, M3, M4)
11	0121R00318PNG	PANEL, LOWER ACCESS PNT (M5, M6, M7)
11	0121R00321PNG	PANEL, LOWER ACCESS PNT (M8, M9)
21	0121R00053PNG	CONTROL COVER, SMALL PNT
71	CONT1P025024V	CONTACTOR 25 AMP, 1P, 24V (M1, M2, M3, M4, M5, M6, M7)
71	CONT1P030024V	CONTACTOR 30 AMP, 1P, 24V (M8, M9)
81	CAP050300440CS	CAP.5/30MFD/440V/DUAL RD (M1)
81	CAP050400440CT	CAPACITOR 5/40/440V/DUAL RD (M2, M3)
81	CAP050450440CT	CAPACITOR 5/45/440V/DUAL RD (M4, M5, M6, M7, M8)
81	CAP050700440CT	CAPACITOR 5/70/440V/DUAL RD (M9)
91	4400065	CAPACITOR STRAP
131	PCBDM133	DEFROST CONTROL BOARD
NS	0161R00036	NAMEPLATE, DAIKIN

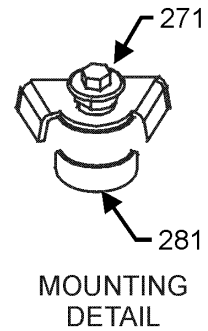
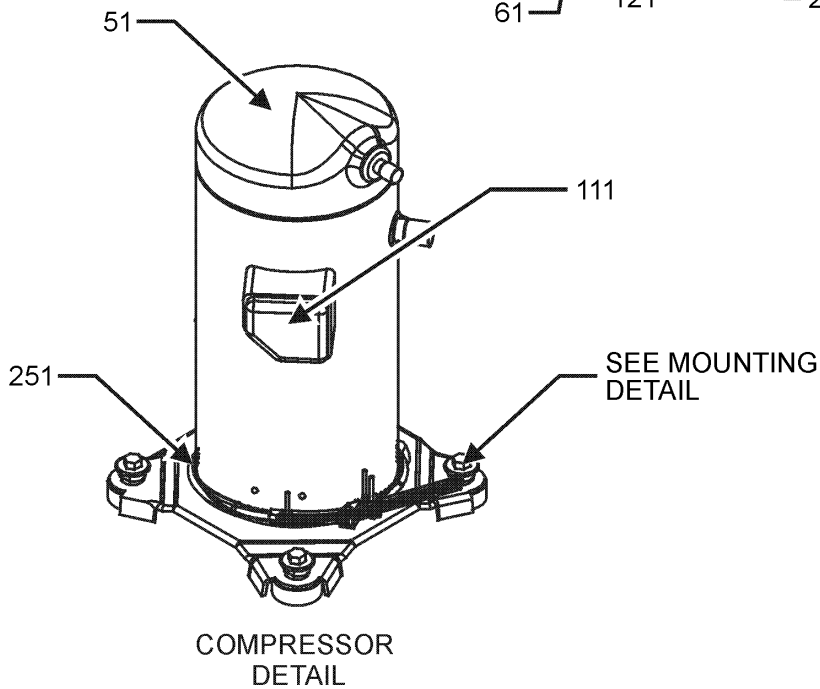
**Expanded Model Nomenclature**

M1 - DZ13SN0181AC
M2 - DZ13SN0241AC
M3 - DZ13SN0301AC
M4 - DZ13SN0361AC
M5 - DZ13SN0421AC
M6 - DZ13SN0421AD
M7 - DZ13SN0421AE
M8 - DZ13SN0481AC
M9 - DZ13SN0601AB

# Tubing and Compressor Assembly



TUBING ASSEMBLY MAY  
DIFFER FROM WHAT IS  
SHOWN



# Tubing and Compressor Assembly

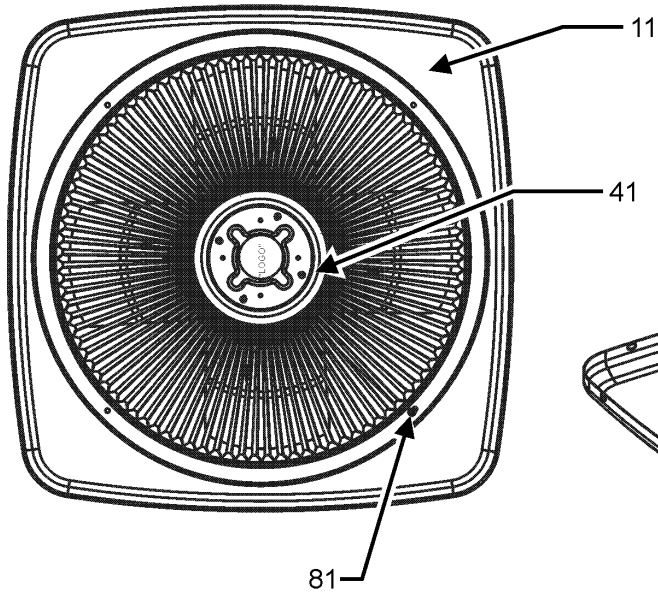
Ref. Part No: No:	Description:	Ref. Part No: No:	Description:
<b>Image 1:</b>			
21	0151R00078		BASE VALVE 3/8"
31	0130M00083		SOLENOID HARNESS W/1/4" TERM
41	0121R00005PNG		BASE PAN, 26" PNT (M1, M2, M3)
41	0121R00006PNG		BASE PAN, 29" PNT (M4, M5, M6, M7, M8)
41	0121R00007PNG		BASE PAN, 35.5" PNT (M9)
51	ZP16K5EPFV130		COMPRESSOR 15500, 208/230/60/1 (M1)
51	ZP21K5EPFV130		COMPRESSOR 21300, 208/230/60/1 (M2)
51	ZP25K5EPFV130		COMPRESSOR 25200, 208/230/60/1 (M3)
51	ZP31K5EPFV130		COMPRESSOR 31100, 208/230/60/1 (M4)
51	ZP34K5EPFV130		COMPRESSOR 34500, 208/230/60/1 (M5, M6, M7)
51	ZP39K5EPFV130		COMPRESSOR 39000, 208/230/60/1 (M8)
51	ZP51K5EPFV130		COMPRESSOR 51000, 208/230/60/1 (M9)
61	B1225022		SOLENOID COIL
71	B1219301		MUFFLER 1/2 X 1/2
91	0151R00079		BASE VALVE 3/4" (M1, M2, M3, M4)
91	0151R00080		BASE VALVE 7/8" (M5, M6, M7, M8, M9)
111	0159R00000P		COMPRESSOR SCROLL HARNESS (M1, M2, M3)
111	0159R00001P		COMPRESSOR SCROLL HARNESS (M4, M5, M6, M7, M8)
111	0159R00002P		COMPRESSOR SCROLL HARNESS (M9)
121	0151M00020		REVERSING VALVE (M9)
121	0151R00067		REVERSING VALVE (M2)
121	0151R00068		REVERSING VALVE (M1, M3)
121	0151R00069		REVERSING VALVE (M4)
121	0151R00070		REVERSING VALVE (M8)
121	0151R00071		REVERSING VALVE (M5, M6, M7)
131	20485201		BI-FLOW FILTER DRIER
151	0130M00088		CUT-OUT SWITCH, LOW PRESSURE
161	0130M00089		CUT-OUT SWITCH, HIGH PRESSURE
191	B1787000		VALVE CORE
211	0130M00106		DISC THERMOSTAT CRNKCS HTR SW
221	B1226206		ACCUMULATOR (M1, M2, M3)
221	0151R00004P		ACCUMULATOR .750 (M4)
221	B1226207		ACCUMULATOR .875 (M5, M6, M7, M8, M9)
251	0163R00006		HEATER, CRANKCASE 230V, 40W (M1, M2, M3, M4)
251	0163R00007		HEATER, CRANKCASE 230V, 40W (M5, M6, M7, M8, M9)
271	M0221641		TF SHOULDER SCREW (QTY 4)
281	B1339533		COMPRESSOR GROMMET (QTY 4)
NS	20270812		COMPENSATOR (M4)
NS	20270815		COMPENSATOR (M2)
NS	0130M00083		REVERSING VALVE HARNESS

## Expanded Model Nomenclature

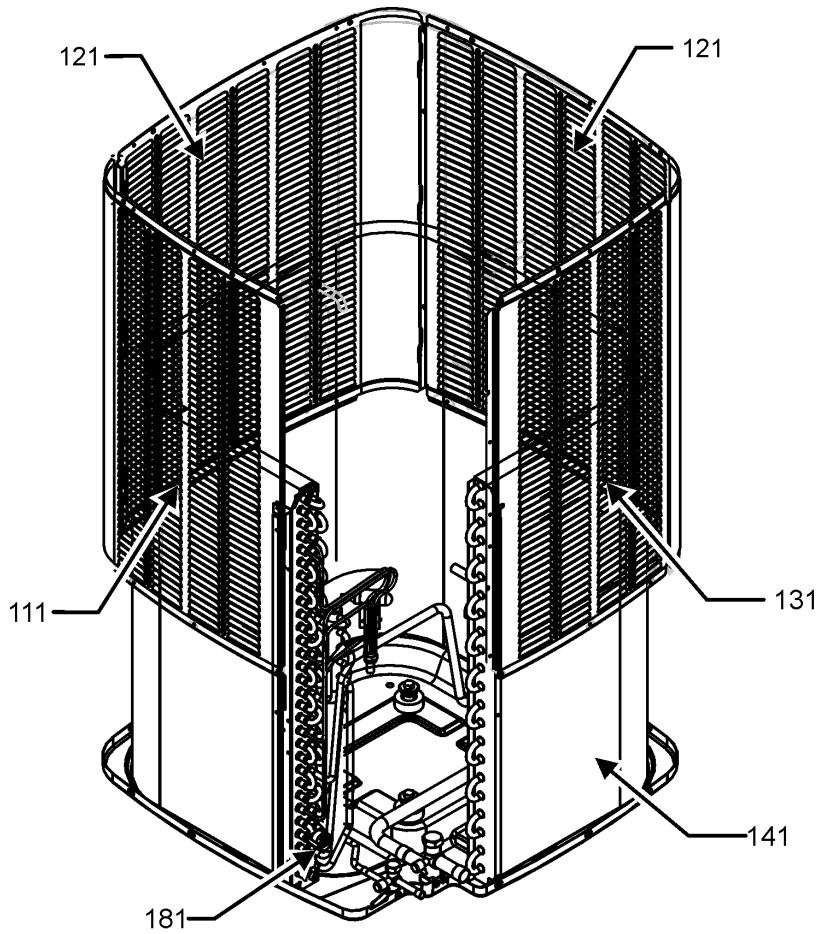
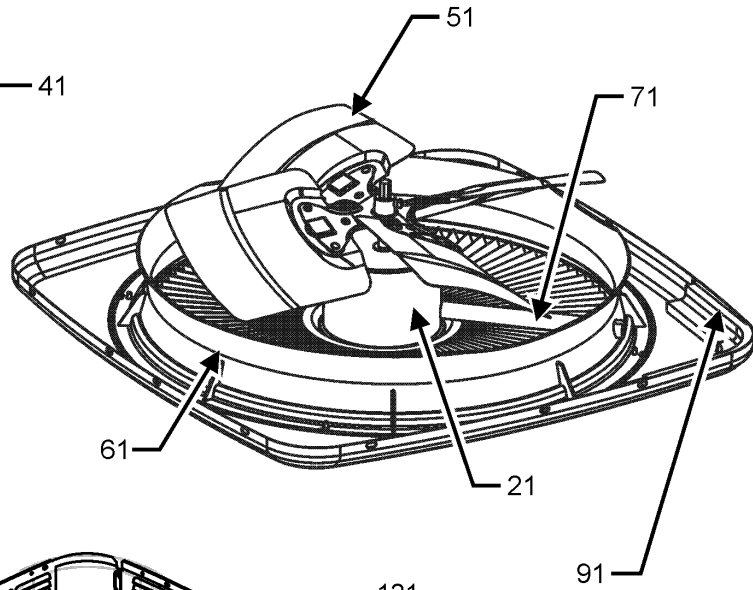
M1 - DZ13SN0181AC
M2 - DZ13SN0241AC
M3 - DZ13SN0301AC
M4 - DZ13SN0361AC
M5 - DZ13SN0421AC
M6 - DZ13SN0421AD
M7 - DZ13SN0421AE
M8 - DZ13SN0481AC
M9 - DZ13SN0601AB

# Cabinet Top and Side Panel Assembly

TOP VIEW



BOTTOM VIEW



LOUVER PANEL ASSEMBLY

# Cabient Top and Side Panel Assembly

Ref. Part No: No:	Description:	Ref. Part No: No:	Description:									
<b>Image 1:</b>		<b>Image 1:</b>										
11	0121R00008PNG	NS	B1789888 FLOW CHECK PISTON KIT .088 (M9)									
11	0121R00010PNG	NS	0163M00005P WASHER, BLACK (.50 OD .218ID) (QTY 4)									
11	0121R00269PNG	<b>Expanded Model Nomenclature</b>										
21	0131M00811	<table border="1"> <tr><td>M1 - DZ13SN0181AC</td></tr> <tr><td>M2 - DZ13SN0241AC</td></tr> <tr><td>M3 - DZ13SN0301AC</td></tr> <tr><td>M4 - DZ13SN0361AC</td></tr> <tr><td>M5 - DZ13SN0421AC</td></tr> <tr><td>M6 - DZ13SN0421AD</td></tr> <tr><td>M7 - DZ13SN0421AE</td></tr> <tr><td>M8 - DZ13SN0481AC</td></tr> <tr><td>M9 - DZ13SN0601AB</td></tr> </table>		M1 - DZ13SN0181AC	M2 - DZ13SN0241AC	M3 - DZ13SN0301AC	M4 - DZ13SN0361AC	M5 - DZ13SN0421AC	M6 - DZ13SN0421AD	M7 - DZ13SN0421AE	M8 - DZ13SN0481AC	M9 - DZ13SN0601AB
M1 - DZ13SN0181AC												
M2 - DZ13SN0241AC												
M3 - DZ13SN0301AC												
M4 - DZ13SN0361AC												
M5 - DZ13SN0421AC												
M6 - DZ13SN0421AD												
M7 - DZ13SN0421AE												
M8 - DZ13SN0481AC												
M9 - DZ13SN0601AB												
21	0131M00018P											
21	0131M00813											
21	0131M00807											
21	0131M00800											
41	0163M00006P											
51	0150M00018											
51	0150M00012											
51	B1086750											
51	0150M00013											
51	0150M00033											
51	0150M00022											
61	0161L00000											
61	0161R00007P											
71	0161R00001P											
71	0161R00002P											
71	0161R00004P											
81	0163M00003P											
81	0163M00004											
81	0163M00035											
91	0154R00006											
111	4400457PNGB											
111	4400458PNGB											
111	0121R00208PNGB											
111	4400402PNGB											
111	4400402PNGB											
111	4400463PNGB											
121	0121R00199PNGB											
121	0121R00204PNGB											
121	4400465PNGB											
121	4400459PNGB											
121	4400407PNGB											
121	4400460PNGB											
131	0121R00193PNG											
131	0121R00197PNG											
131	4400461PNG											
131	4400462PNG											
131	4400412PNG											
131	4400467PNG											
141	0201R00325											
141	0201R00285											
141	0201R00317											
141	0201R00150S											
141	0201R00152S											
141	0201R00154S											
141	0201R00155S											
181	0130M00098											
181	0130M00105											
NS	B1789872											
NS	B1789851											
NS	B1789857											
NS	B1789865											
NS	B1789871											
NS	B1789878											